

# My Special Wish

Johnny Applesseed made our country a better place by planting apple trees in many states. How would you like to make our country a better place? Draw a picture in the box below.



Write about how you would like to make our country a better place.

---

---

---

---

---

# My Book About Johnny Applesseed



# The Story of Johnny Applesseed

Johnny Applesseed's real name was John Chapman. He was born in Leominster, Massachusetts, in 1774. As a boy, Johnny took care of the apple trees that grew on his farm.



Johnny lived during pioneer times when settlers were moving out west. When Johnny grew up, he gathered a bag of apple seeds and headed westward, too. He went barefoot and wore his cooking pot as a hat.

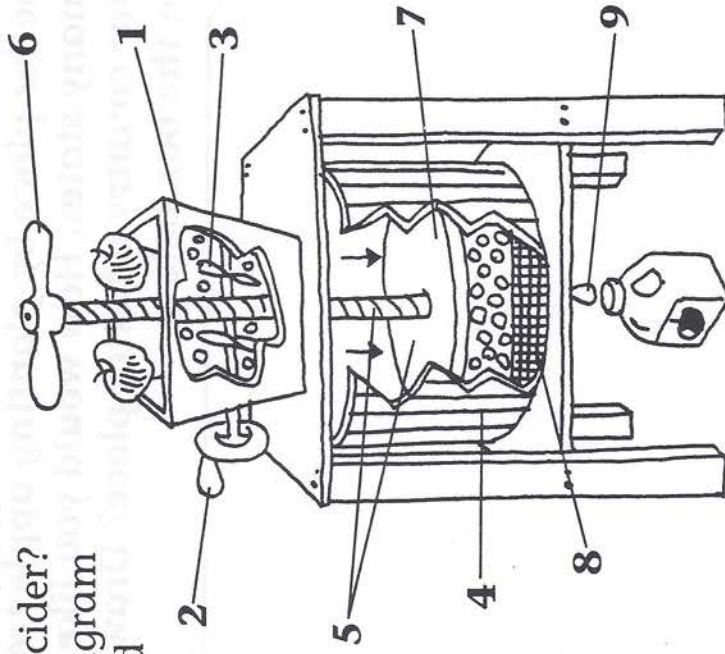


Johnny walked for miles and miles to the Ohio River Valley, planting seeds wherever he went.



# An Apple Cider Press

Do you know how to make apple cider? Read the diagram below to find out how a cider press turns apples into cider!



1. Place the apples in the hopper.
2. Turn the flywheel.
3. The apples are chopped by blades in the hopper.
4. The tub catches the apple chunks.
5. Screw the press plug onto the press screw.
6. Turn the press screw handle.
7. The press plug presses the apple chunks.
8. Juice flows through the cloth filter.
9. Cider moves into the tray and then into a container.

# Delicious Apples!

Apples were an important fruit during pioneer times. Pioneers ate apples right from the tree.

They also made lots of foods with apples:

- dried apples
- applesauce
- apple butter
- apple vinegar
- apple cider

**Draw a picture of your favorite apple foods.**  
**Then write about your picture.**

---

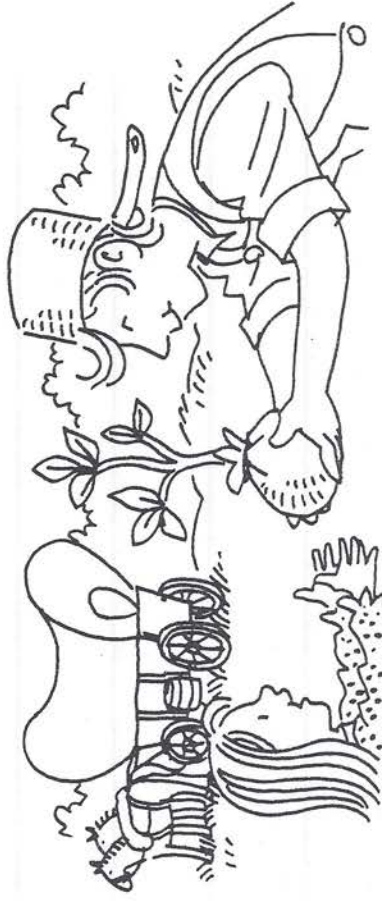
---

---

Each night Johnny slept under the stars. He used leaves as a blanket and his bag of apple seeds as a pillow. Each morning Johnny would wake up and plant more seeds.



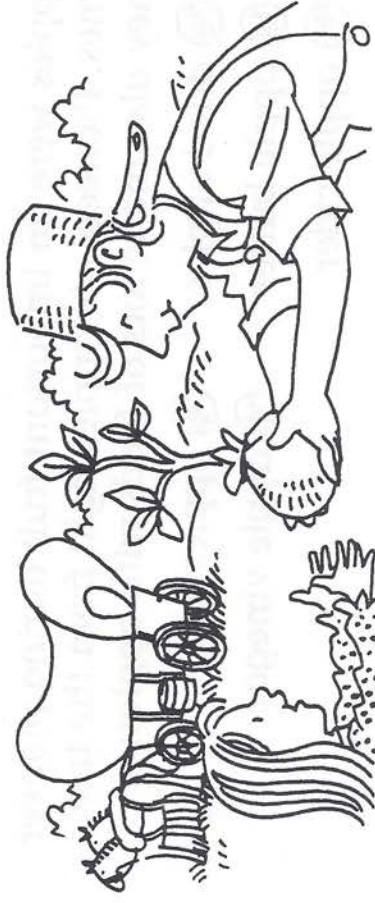
The seeds eventually grew into apple trees and provided apples for the settlers. Johnny also showed the settlers how to plant apple trees. They were thankful and called him Johnny Applesseed.



Long ago, there were very few apple trees in the United States. Today there are many, thanks to Johnny Applesseed!

# Hey, Brother!

Johnny Appleseed had a brother named Nathaniel. Imagine that you are Johnny Appleseed writing a letter to Nathaniel. What would you write? You might write about your life out west or describe one of your adventures. Or you might try to persuade Nathaniel to join you in planting trees from state to state.



Dear Nathaniel,

---

---

---

---

---

---

---

---

From your brother,  
Johnny